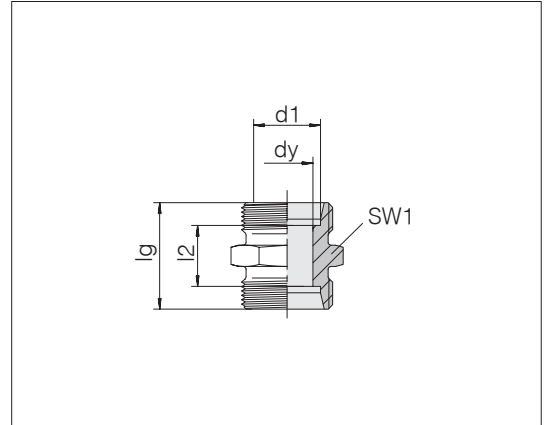


# Unions

Tube coupling; 24° in acc. with ISO 8434-1



Series	Tube OD	Pressure	dy	lg	l2	SW1	kg/100 ca.	Order-No.	Designation
LL	4	PN 100	3	20	12	9	0.5	0711002000	24-S-LL4
LL	5	PN 100	3.5	20	9	11	0.8	0711052000	24-S-LL5
LL	6	PN 100	4.5	20	9	11	0.7	0711102000	24-S-LL6
LL	8	PN 100	6	23	12	12	1.0	0711152000	24-S-LL8
L	6	PN 500	4	24	10	12	1.2	0712002000	24-S-L6
L	8	PN 500	6	25	11	14	1.6	0712052000	24-S-L8
L	10	PN 500	8	27	13	17	2.2	0712102000	24-S-L10
L	12	PN 400	10	28	14	19	2.8	0712152000	24-S-L12
L	15	PN 400	12	30	16	24	4.9	0712202000	24-S-L15
L	18	PN 400	15	31	16	27	6.7	0712252000	24-S-L18
L	22	PN 250	19	35	20	32	8.8	0712302000	24-S-L22
L	28	PN 250	24	36	21	41	13.6	0712352000	24-S-L28
L	35	PN 250	30	41	20	46	21.0	0712402000	24-S-L35
L	42	PN 250	36	43	21	55	29.4	0712452000	24-S-L42
S	6	PN 800	4	30	16	14	2.5	0712502000	24-S-S6
S	8	PN 800	5	32	18	17	3.7	0712552000	24-S-S8
S	10	PN 800	7	32	17	19	4.3	0712602000	24-S-S10
S	12	PN 630	8	34	19	22	5.9	0712652000	24-S-S12
S	14	PN 630	10	38	22	24	7.5	0712702000	24-S-S14
S	16	PN 630	12	38	21	27	8.7	0712752000	24-S-S16
S	20	PN 420	16	44	23	32	14.2	0712802000	24-S-S20
S	25	PN 420	20	50	26	41	25.0	0712852000	24-S-S25
S	30	PN 420	25	54	27	46	32.3	0712902000	24-S-S30
S	38	PN 420	32	61	29	55	53.8	0712952000	24-S-S38

Example for comp. :  
G06LX  
ISO 8434-1-S-L6-St

